

FLO SERIES

PART NUMBER: SA-EL-LCI1S

Linking Conveyor

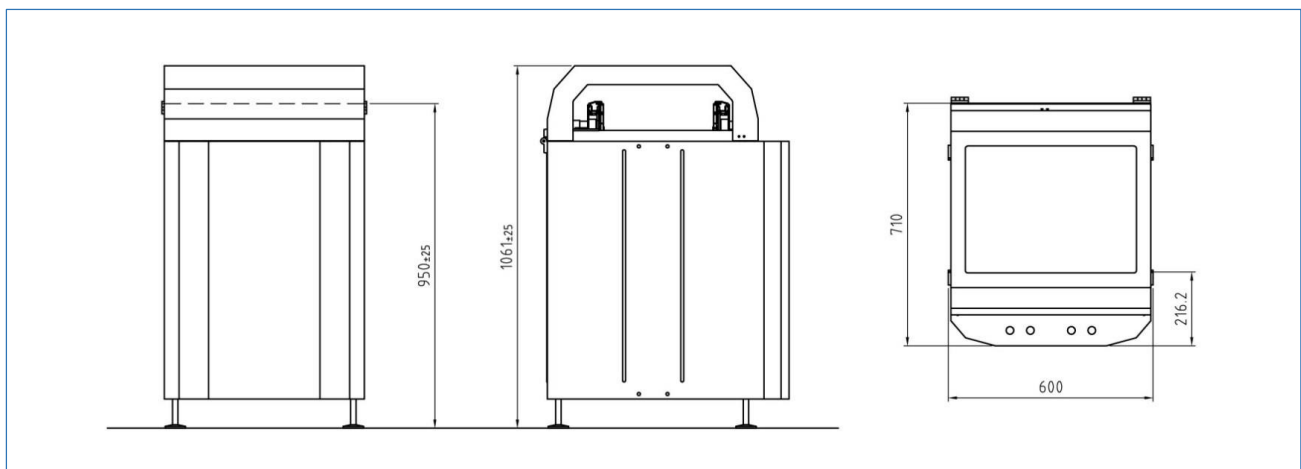
Linking Conveyor, Inspection, 1 Segment

Used when frequent visual inspection is required, PCB is stopped at the end of conveyor until the release button is pressed. Selectable by-pass or inspection operation.

Length of conveyor is 600 mm in one section.



Layout Module



FLO SERIES GENERAL FEATURES

TRANSPORT	
Height:	950 mm +/- 25 mm
Width:	Min. 70 mm – Max 350 mm
PCB edge space:	Min. 3 mm
Transfer direction:	Left to right
Module length:	STD 600 mm up to 1000 mm
Operating side:	Front of the machine
Fixed Rail:	Front of the machine
Interface:	Std. or Extd. SMEMA Opt Fuji, Panasonic, Sanyo, Siemens, SMPI, Special
SMEMA cable length:	3 m

PANEL DIMENSION	
Length:	Min. 100 mm – Max 450 mm
Width:	Min. 70 mm – Max 350 mm
Thickness:	From 0.8 mm to 4.0 mm
Component clearance:	Top: 40 mm Bottom: 20 mm
PCB max weight:	1 Kg

VARIOUS:

- CE safety compliant
- PLC microprocessor driven system
- Mechanical keyboard or LCD display with keyboard operation
- Single piece aluminium rails, proprietary design

POWER SUPPLY:

230V 1Ph+N+G 50Hz

CURRENT:

1 Ampere

WEIGHT:

60 Kg

DIMENSION LxWxH:

600x750x1100 mm

COLOR:

RAL 7035

TRANSPARENT COVER:

Standard (NOT ESD)

All modules are ESD compliant and CE marked, each module has an independent control system. Technical specification may change without any advanced notice.