

# FLEX SERIES

PART NUM: SA-FC-BUF-LBC

## FIFO LIFO BUFFER RACK

### Linear Buffer Conveyor

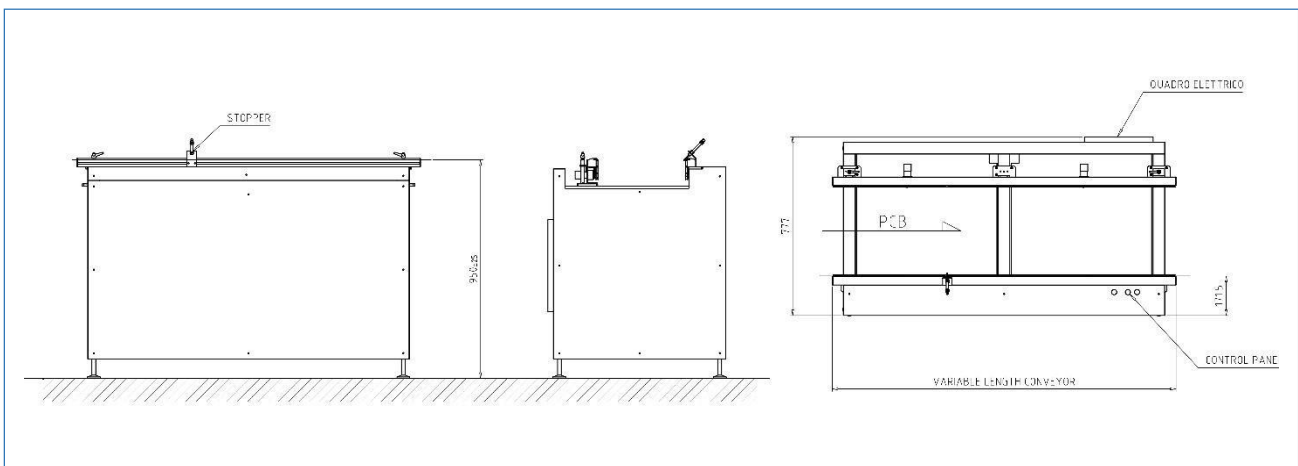
This module allows PCB linear storage at the end of line using FIFO logic. The board capacity is related to module length and board size.

The standard module is composed by a first section of 1600 mm and a second section of 900 mm (tot. length 2500mm). The minimum length of the board is 140 mm.



*Imagery for illustration purposes only. Please consult your local Seica Automation distributor for more information.*

### Layout Module



## FLEX SERIES GENERAL FEATURES

<b>TRANSPORT</b>	
<b>Height:</b>	950 mm +/- 25 mm
<b>Component clearance:</b>	Top 50 mm (80 mm on request) Bottom 30 mm (80 mm on request)
<b>PCB edge space:</b>	Min. 3 mm
<b>Transfer direction:</b>	Left to right
<b>Operating side:</b>	Front of the machine
<b>Fixed Rail:</b>	Front of the machine
<b>Interface:</b>	SMEMA standard extended SMEMA Optional Fuji, Panasonic, Sanyo, Siemens, SMPI, Special
<b>SMEMA cable length:</b>	3 m

<b>PANEL DIMENSION</b>	
<b>Length:</b>	Min. 140 mm – Max 510 mm
<b>Width:</b>	Min. 85 mm – Max 390 mm
<b>Optional width:</b>	Up to 460 mm on request
<b>Thickness:</b>	From 0.8 mm to 4.0 mm
<b>PCB max weight:</b>	2 Kg

### VARIOUS:

- CE safety compliant
- PLC microprocessor driven system
- Mechanical keyboard or LCD display with keyboard operation
- Automatic Width Adjust as option
- Single piece aluminium rails, proprietary design

### POWER SUPPLY:

230V 50Hz 1+N+T

### CURRENT:

2 Ampere

### AIR SUPPLY:

0,6 Mpa

### WEIGHT:

70 Kg

### DIMENSION LxWxH:

600x781x1.172 mm

### COLOR:

RAL 7035

### FRAME:

Aluminium profiles

*All modules are ESD compliant and CE marked, each module has an independent control system. Technical specification may change without any advanced notice.*