

# FLEXSERIES

PART NUM: SA-FC-LCI2S

## LINKING CONVEYOR – INFEED/OUTFEED OVEN

Linking Conveyor 2 Segment- Infeed Oven Function

Used at the entrance of the oven and comes with an adjustable speed conveyor, this allows the unit to match the reflow oven.

The module is composed of two segment from 1.000mm(500+500mm) up to 2.000 mm (1.000+1.000mm) Standard 1.200mm.

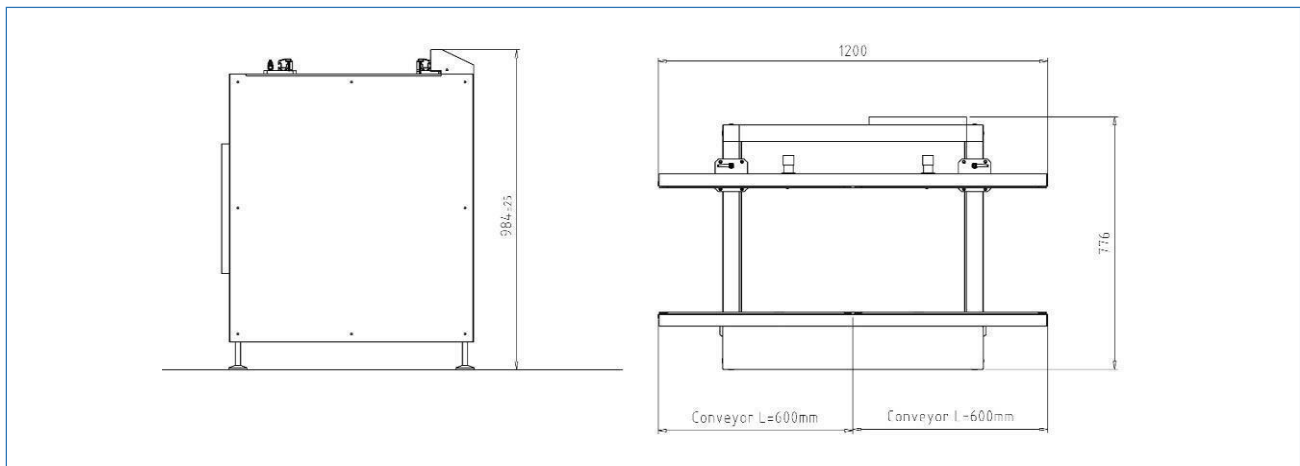
### Standard Linking Conveyor include:

- Cover (without micro switch)
- Transport speed 200 mm/sec

*Imagery for illustration purposes only. Please consult your local Seica Automation distributor for more information.*



### Layout Module



## FLEX SERIES GENERAL FEATURES

<b>TRANSPORT</b>	
<b>Height:</b>	950 mm +/- 25 mm
<b>Component clearance:</b>	Top 50 mm (80 mm on request) Bottom 30 mm (80 mm on request)
<b>PCB edge space:</b>	Min. 3 mm
<b>Transfer direction:</b>	Left to right
<b>Operating side:</b>	Front of the machine
<b>Fixed Rail:</b>	Front of the machine
<b>Interface:</b>	SMEMA standard extended SMEMA Optional Fuji, Panasonic, Sanyo, Siemens, SMPI, Special
<b>SMEMA cable length:</b>	3 m

<b>PANEL DIMENSION</b>	
<b>Length:</b>	Min. 80 mm – Max 510 mm
<b>Width:</b>	Min. 85 mm – Max 390 mm
<b>Optional width:</b>	Up to 460 mm on request
<b>Thickness:</b>	From 0.8 mm to 4.0 mm
<b>PCB max weight:</b>	2 Kg

### VARIOUS:

- CE safety compliant
- PLC microprocessor driven system
- Automatic Width Adjust as option
- Single piece aluminium rails, proprietary design

**POWER SUPPLY:** 230V 50Hz 1+N+T

**CURRENT:** 2 Ampere

**AIR SUPPLY:** 0,6 Mpa

**WEIGHT:** 70 Kg

**DIMENSION LxWxH:** 600x781x1.172 mm

**COLOR:** RAL 7035

**FRAME:** Aluminium profiles

*All modules are ESD compliant and CE marked, each module has an independent control system. Technical specification may change without any advanced notice.*



[www.seica-automation.it](http://www.seica-automation.it)

sales@seica-automation.com

info@seica-automation.com

+39 0362 1572 717

**Seica Automation s.r.l**

Via Sardegna, 4 20841

Carate Brianza (MB) ITALY

P.iva / C.F. 11044290010