

# FLEXSERIES

PART NUM: SA-FC-MML

## LOADER & UNLOADER

### Multi Magazine Loader

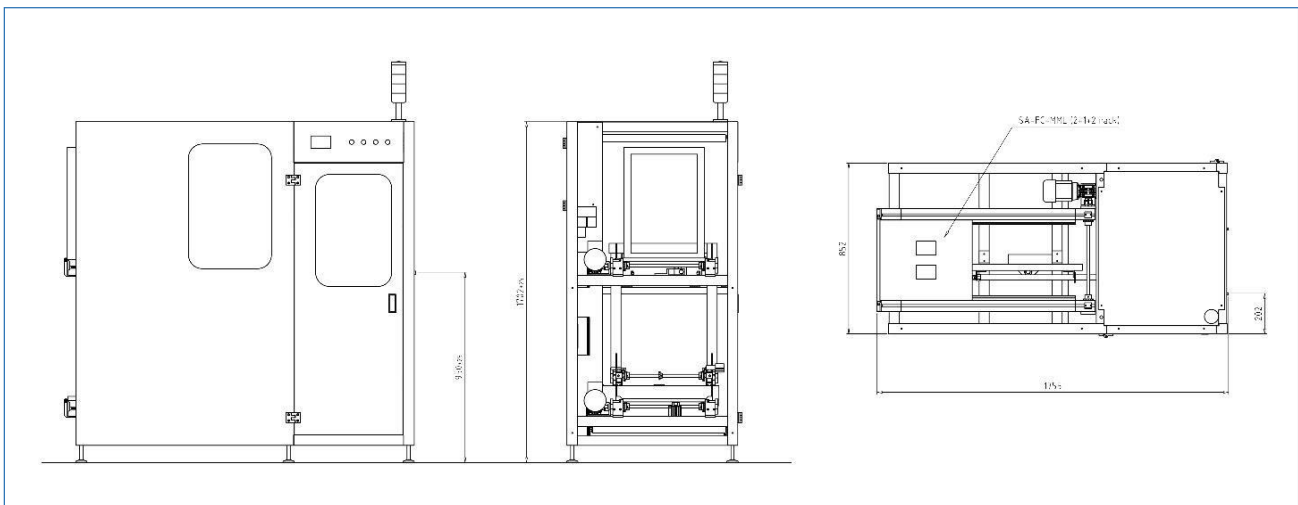
The multi magazine loader modules are used for the automatic loading of PCBs in SMD lines.

It allows loading from the same side and to charge up to 8 rack. *(up to 16 as option)*

*Imagery for illustration purposes only. Please consult your local Seica Automation distributor for more information.*



### Layout Module



## FLEX SERIES GENERAL FEATURES

<b>TRANSPORT</b>	
<b>Height:</b>	950 mm +/- 25 mm
<b>Component clearance:</b>	Top 50 mm (80 mm on request) Bottom 30 mm (80 mm on request)
<b>PCB edge space:</b>	Min. 3 mm
<b>Transfer direction:</b>	Left to right
<b>Operating side:</b>	Front of the machine
<b>Fixed Rail:</b>	Front of the machine
<b>Interface:</b>	SMEMA standard extended SMEMA Optional Fuji, Panasonic, Sanyo, Siemens, SMPI, Special
<b>SMEMA cable length:</b>	3 m

<b>PANEL DIMENSION</b>	
<b>Length:</b>	Min. 80 mm – Max 510 mm
<b>Width:</b>	Min. 85 mm – Max 390 mm
<b>Optional width:</b>	Up to 460 mm on request
<b>Thickness:</b>	From 0.8 mm to 4.0 mm
<b>PCB max weight:</b>	2 Kg
<b>Max rack dimension :</b>	535 x 460 x 570 mm (LxWxH)

### VARIOUS:

- CE safety compliant
- PLC microprocessor driven system
- Mechanical keyboard or LCD display with keyboard operation
- Automatic Width Adjust as option
- Single piece aluminium rails, proprietary design

### POWER SUPPLY:

400V 3Ph+N+G 50Hz

### CURRENT:

2 Ampere

### AIR SUPPLY:

0,6 Mpa

### WEIGHT:

70 Kg

### DIMENSION LxWxH:

600x781x1.172 mm

### COLOR:

RAL 7035

### FRAME:

Aluminium profiles

*All modules have ESD safe design and CE mark, each module has independent control system. Technical specification may change without any advice, please contact our representative office.*