

## FLEX SERIES

PART NUM: SA-FC-TU-L

### TRAFFIC CONVEYOR - FLIP TURN INVERTER

#### Turn Unit "L" type

This module is used for the automatic rotation of PCBs between two conveyor modules or SMT Machine.

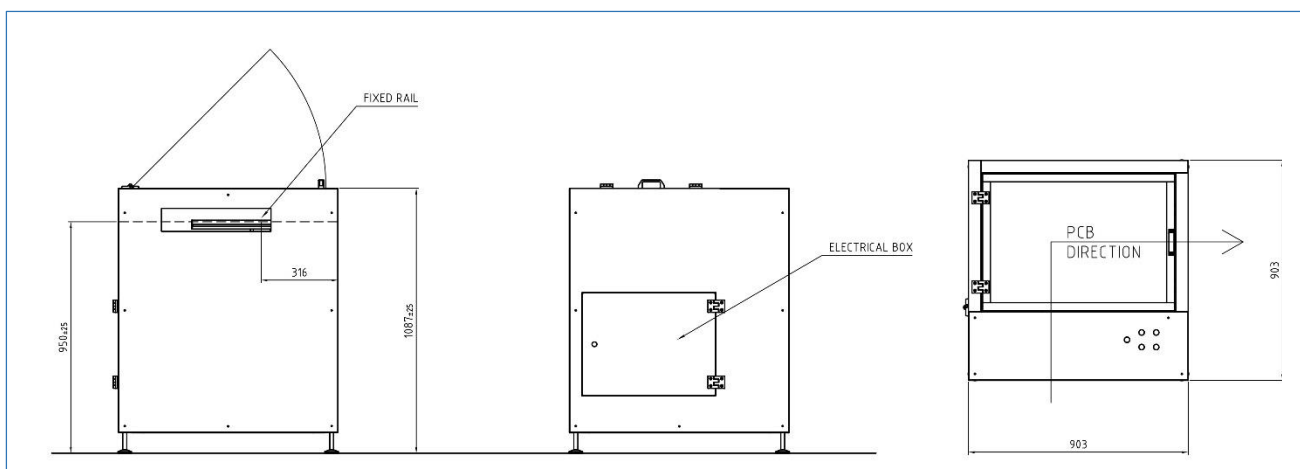
It allows the rotation from 0° to 90° in less than 6 seconds.

PCB flows can be customized (right OR left side of straight flow).

*Imagery for illustration purposes only. Please consult your local Seica Automation distributor for more information.*



#### Layout Module



## FLEX SERIES GENERAL FEATURES

<b>TRANSPORT</b>	
<b>Height:</b>	950 mm +/- 25 mm
<b>Width:</b>	Min. 85 mm – Max 390 mm
<b>PCB edge space:</b>	Min. 3 mm
<b>Transfer direction:</b>	Left to right
<b>Operating side:</b>	Front of the machine
<b>Fixed Rail:</b>	Front of the machine
<b>Interface:</b>	SMEMA standard extended SMEMA Optional Fuji, Panasonic, Sanyo, Siemens, SMPI, Special
<b>SMEMA cable length:</b>	3 m

<b>PANEL DIMENSION</b>	
<b>Length:</b>	Min. 80 mm – Max 510 mm
<b>Width:</b>	Min. 85 mm – Max 390 mm
<b>Optional width:</b>	Up to 460 mm on request
<b>Thickness:</b>	From 0.8 mm to 4.0 mm
<b>PCB max weight:</b>	12 Kg

### VARIOUS:

- CE safety compliant
- PLC microprocessor driven system
- Mechanical keyboard or LCD display with keyboard operation
- Automatic control of limit reached
- Single piece aluminium rails, proprietary design

### POWER SUPPLY:

230V 50Hz 1+N+T or  
50 Hz 1+N+T

### CURRENT:

1.5 Ampere

### AIR SUPPLY:

0,6 Mpa

### WEIGHT:

120 Kg

### DIMENSION LxWxH:

903x903x1.087 mm

### COLOR:

RAL 7035

### FRAME:

Aluminium profiles

*All modules are ESD compliant and CE marked, each module has an independent control system. Technical specification may change without any advanced notice.*