

FLEX SERIES

PART NUM: SA-FC-WS3S

REPAIR VERIFICATION WORKSTATION

Workstation 1.800mm (3x600mm)

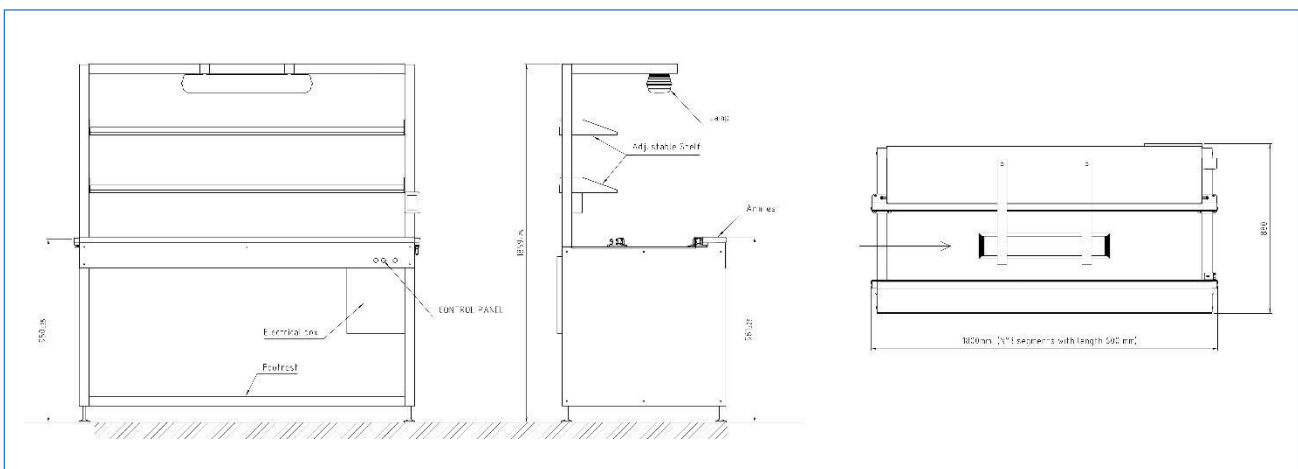
Mainly used for connection between equipment and production, 3 Section of 600mm as b has function of transferring, stop board and inspection. Lite aluminum rame, Can increase the function of testing and/or manually operation.

Equipped with lighting feature, foot rest and shelf, WS3S can be set for PCB or Pallet use.



Imagery for illustration purposes only. Please consult your local Seica Automation distributor for more information.

Layout Module



FLEX SERIES GENERAL FEATURES

TRANSPORT	
Height:	950 mm +/- 25 mm
Width:	Min. 85 mm – Max 390 mm
PCB edge space:	Min. 3 mm
Transfer direction:	Left to right
Operating side:	Front of the machine
Fixed Rail:	Front of the machine
Interface:	SMEMA standard extended SMEMA Optional Fuji, Panasonic, Sanyo, Siemens, SMPI, Special
SMEMA cable length:	3 m

PANEL DIMENSION	
Length:	Min. 80 mm – Max 510 mm
Width:	Min. 85 mm – Max 390 mm
Optional width:	Up to 460 mm on request
Thickness:	From 0.8 mm to 4.0 mm
PCB max weight:	15 Kg

VARIOUS:

- CE safety compliant
- PLC microprocessor driven system
- Mechanical keyboard or LCD display with keyboard operation
- Automatic control of limit reached
- Single piece aluminium rails, proprietary design

POWER SUPPLY:

230V 1Ph+N+G 50Hz

CURRENT:

2 Ampere

AIR SUPPLY:

No Air Required

WEIGHT:

160 Kg

DIMENSION LxWxH:

1.800x880x1.889 mm

COLOR:

RAL 7035

FRAME:

Aluminium profiles

All modules are ESD compliant and CE marked, each module has an independent control system. Technical specification may change without any advanced notice.