

FLEX SERIES

PART NUM: SA-FC-CMTC

THYPOON CLEANING MACHINE COMPACT

The contact less cleaning machine can clean assembled PCB or pallet, with a special vacuum technology. The Thyphoon heads create a high depression that remove dust or small parts from assembled boards. A consumable free technology assures always stable performances and low cost of production.

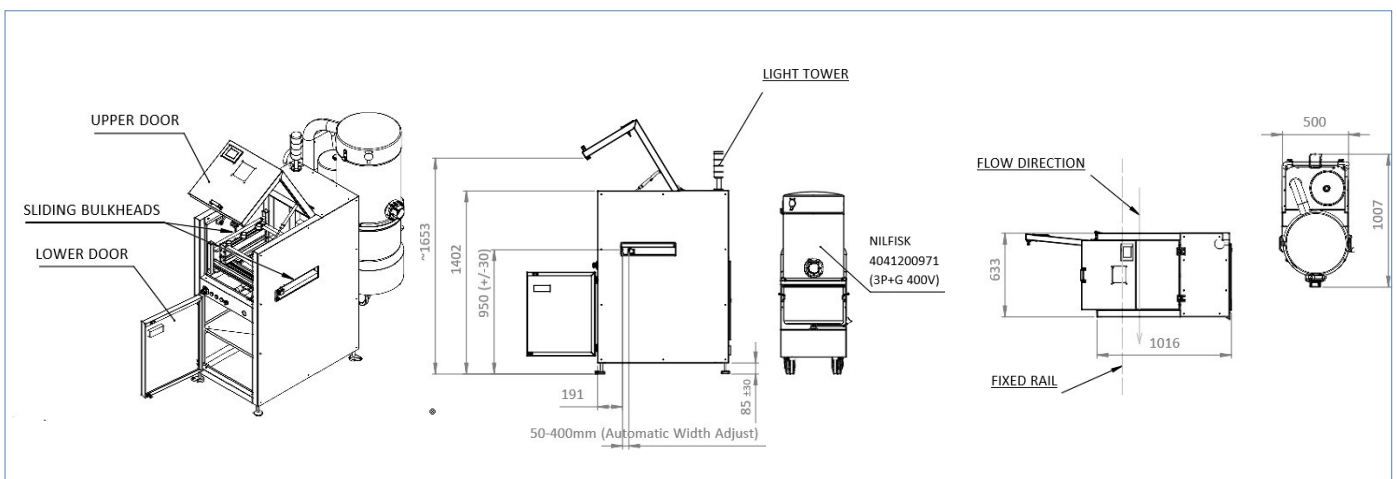
Benefits of SA-FC-CMTC:

- High cleaning performances
- No consumables parts
- Suitable for assembled PCB or pallet
- Contact less technology
- Top or Top&Botton heads
- Easy operation and maintenance
- Small footprint length

Imagery for illustration purposes only. Please consult your local Seica Automation distributor for more information.



Layout Module



CMTC GENERAL FEATURES

TRANSPORT

Height:	950 mm +/- 25 mm
Component Clearance:	Top 50 mm Bottom 30 mm
Length:	633 mm
PCB edge space:	Min. 3 mm
Transfer direction:	Left to right/ Right to left
Width adjustment:	Handwheel
Fixed Rail:	Front of the machine
Interface:	SMEMA special (Passthrough SMEMA)
SMEMA cable length:	3 m

PCB/PALLET DIMENSIONS

Length:	Min. 100 mm — Max 510 mm
Width:	Min. 50 mm — Max 400 mm
Cleaning width:	400 mm
Thickness:	From 0.8 mm to 4.0 mm
Component clearance:	Top :50mm-Bottom:30mm
PCB Max. Weight:	2 Kg
Opt.Cleaning Width:	Up to 600 mm on request

VARIOUS:

- CE safety compliant
- Omron PLC driven system
- HMI color touch screen
- Automatic width adjustment as option
- Controlled suction unit
- Available Top o Top&Bottom

POWER SUPPLY: 1P+N+G 230V-50Hz

CURRENT: 2 Ampere

AIR SUPPLY: 300 NI/min

WEIGHT: 150 Kg

DIMENSION WITHOUT THYPOON

LxWxH: 633x1.016x1.402mm

COLOR: RAL7035

All modules have ESD safe design and CE mark, each module has independent control system. Technical specification may change without any advice, please contact our representative office.